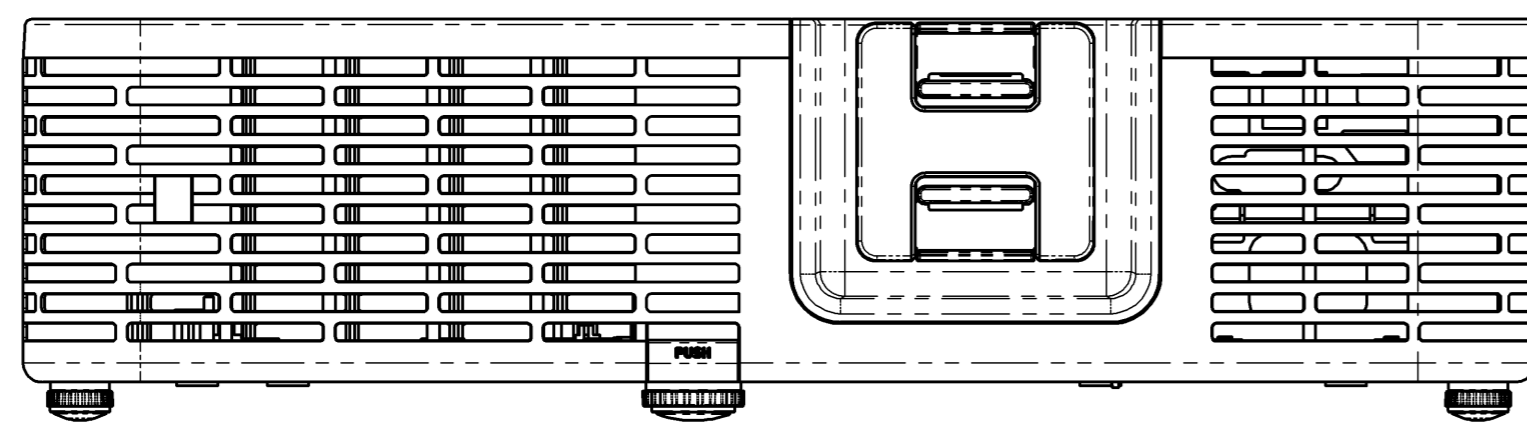
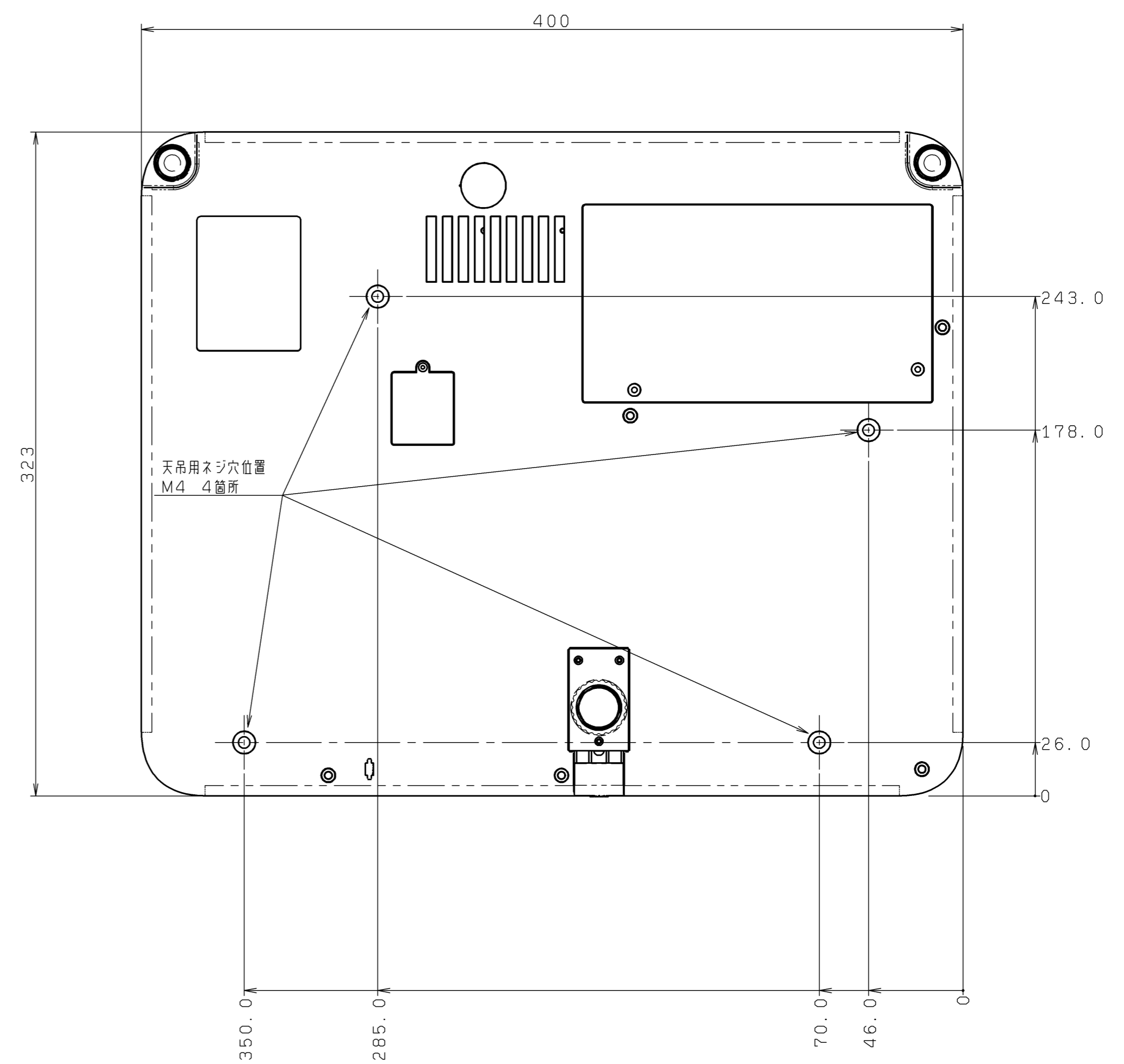
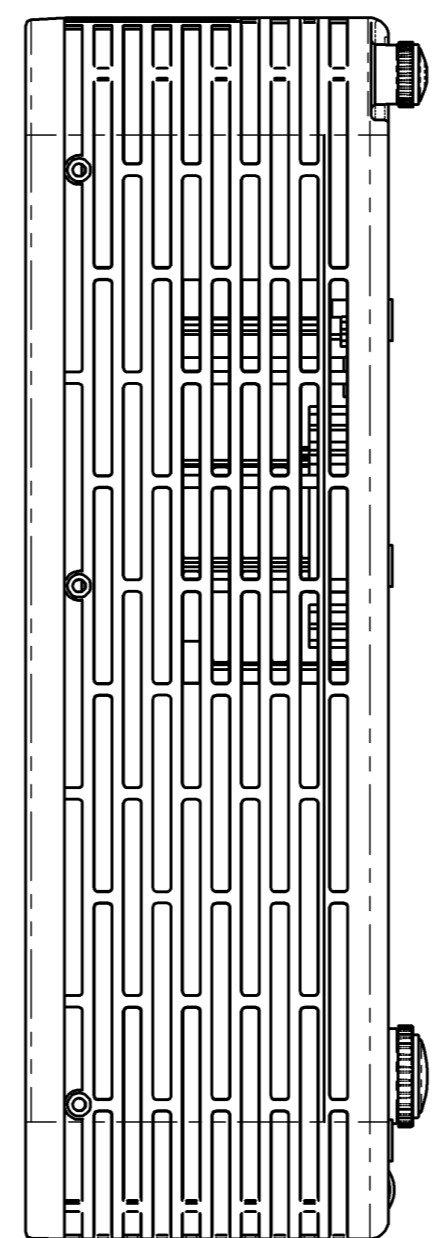
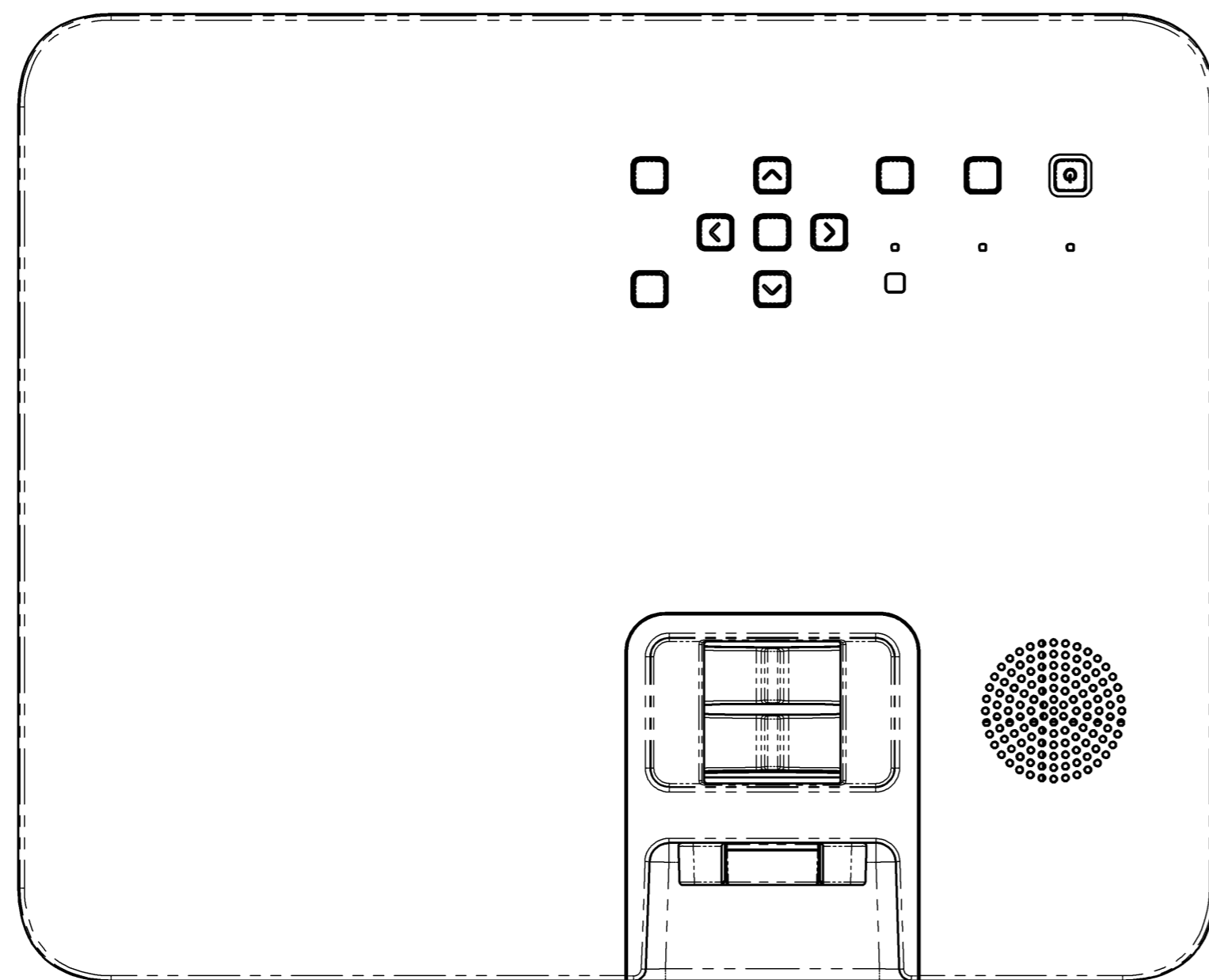
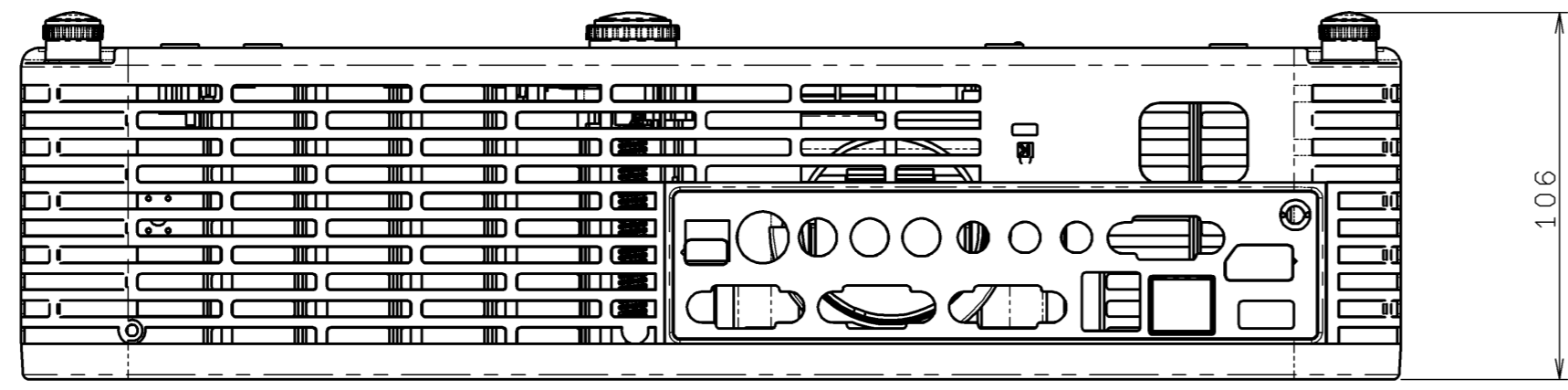


EC No.	REV. No.	REVISE	DATE (Y/M/D)	APPROVED	CHECKED	PREPARED
--------	----------	--------	--------------	----------	---------	----------



PART NAME		1			
APPROVED	TOLERANCE	SCALE	UNIT	 CASIO CASIO COMPUTER CO., LTD. <small>DO NOT DUPLICATE CASIO CONFIDENTIAL AND PROPRIETARY</small>	
CHECKED	ISSUE	MODEL	mm		
CHECKED	NAME	11:05:16	CY-936/937	DRAWING NO.	REV. SHEET DIV.
DESIGN	CY936/937 天吊金具位置				
DRAW	HIGO				/

